

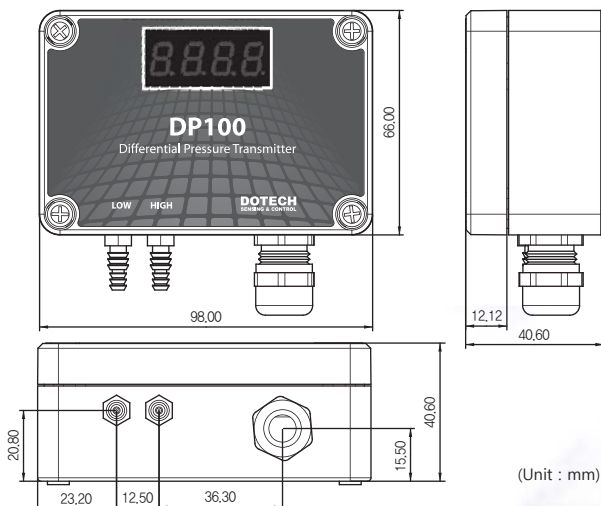


Digital Differential Pressure Transmitter DP100 series

Display Range of Pressure

Unit	Measurement range	Display range of decimal point (auto switch)
Pa	-500 ~ 500	-500 ~ -200 / -199.9 ~ 500.0
mbar/hPa	-5 ~ 5	-5.00 ~ -2.00 / -1.999 ~ 5.000
kPa	-0.5 ~ 0.5	-0.50 ~ -0.01 / 0.000 ~ 0.500
mmAq/mmH ₂ O	-50 ~ 50	-50.0 ~ -20.0 / -19.99 ~ 50.00
inH ₂ O	-2 ~ 2	-2.00 / -1.999 ~ 2.000
mmHg	-3.75 ~ 3.75	-3.75 ~ -2.00 / -1.999 ~ 3.750
inHg	-0.15 ~ 0.15	-0.15 ~ -0.01 / 0.000 ~ 0.150

Dimensions



Features

- Economical price
- Zero point set and air and non-aggressive gas measurement
- Excellent longterm reliability guaranteed by temperature compensation and pressure calibration
- Semi-permanent accuracy
- Quick response
- Pressure unit selection mode
- Built-in display (flexible decimal point display)
- 4~20mA transmission and RS485 communication (Modbus)

Applications

- Minute differential pressure measurement
- Differential pressure measurement of clean room
- Semiconductor equipment
- LCD/PDP equipment
- Test equipment
- Differential pressure measurement of filter

Specifications

DP100 Series	
Power	17 ~ 24Vdc or 17 ~ 24Vac, 50/60Hz
Power Consumption	Max. 5W@24Vdc
Operating Temperature	-10 ~ 50°C (No condensation)
Storage Temperature	-20 ~ 60°C (Humidity: 90%RH or less)
Pressure Range	-500 ~ 500 Pa (-2 ~ 2 inH ₂ O, -50 ~ 50mmH ₂ O) Span Accuracy : 3% Zero point Accuracy : 0.2Pa
Pressure Unit	Pa, mbar/hPa, kPa, mmAq/mmH ₂ O, inH ₂ O, mmHg, inHg
Hose Connection	Silicone Tube - ID: 3mm, OD: 6mm
Protection Class	IP65

Specifications are subject to change without prior notice.

Ordering Guide

DP100-A1	+/-500Pa, 4~20mA Transmission
DP100-R4	+/-500Pa, RS485 Communication
DP100-A1-25	+/-25Pa, 4~20mA Transmission
DP100-R4-25	+/-25Pa, RS485 Communication